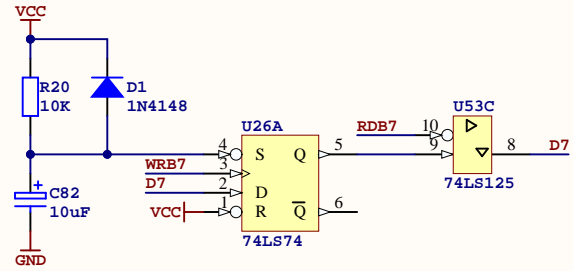
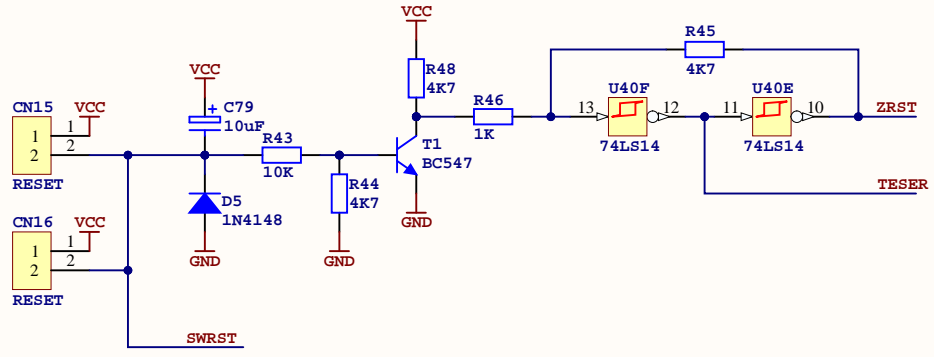
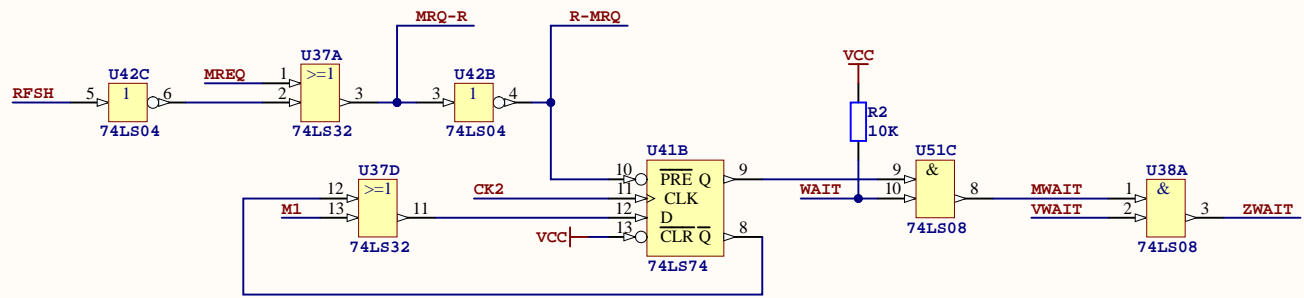


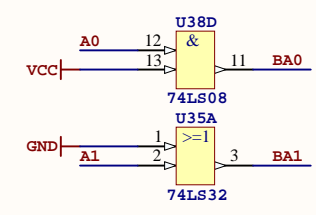
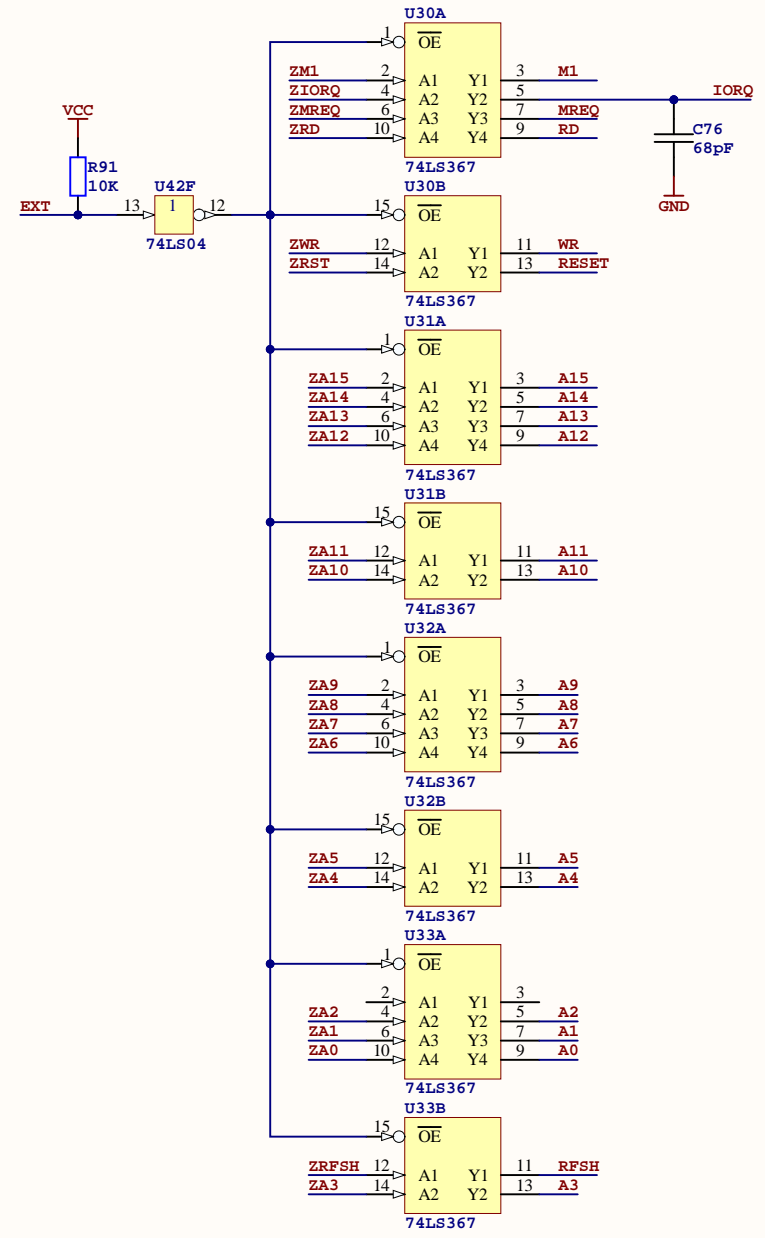
| | | | | | |
|-------|--------------------------|-----------|-----|-----------------|--|
| Title | | | CPU | | |
| Size | Number | Revision | | AC21B24 | |
| A4 | | | | | |
| Date: | 5/16/2022 | Sheet of | | | |
| File: | D:\SSD240\...\CPU.SchDoc | Drawn By: | | ADEMIR CARCHANO | |



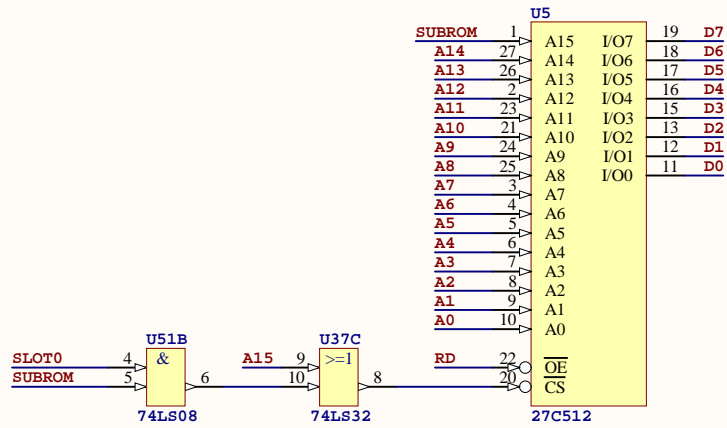
| | | | | | |
|-------|----------------------------|----------------|--------------|-----------------|--|
| Title | | | RESET | | |
| Size | Number | AC21B24 | | Revision | |
| A4 | | | | | |
| Date: | 5/16/2022 | Sheet of | | | |
| File: | D:\SSD240\...\RESET.SchDoc | Drawn By: | | ADEMIR CARCHANO | |



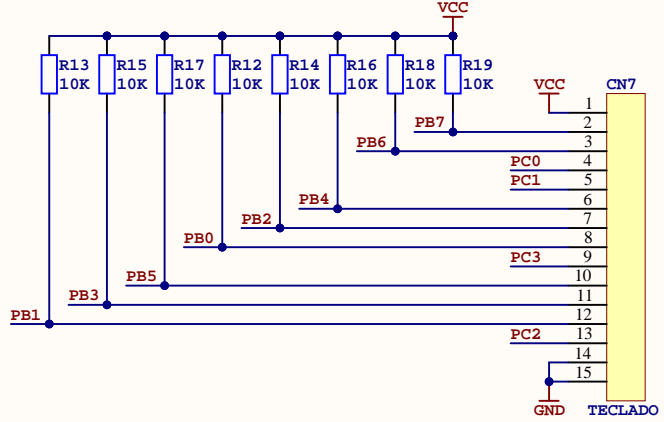
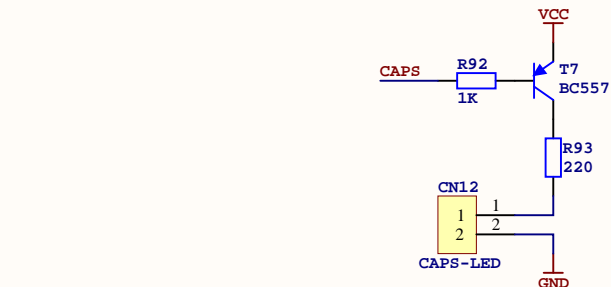
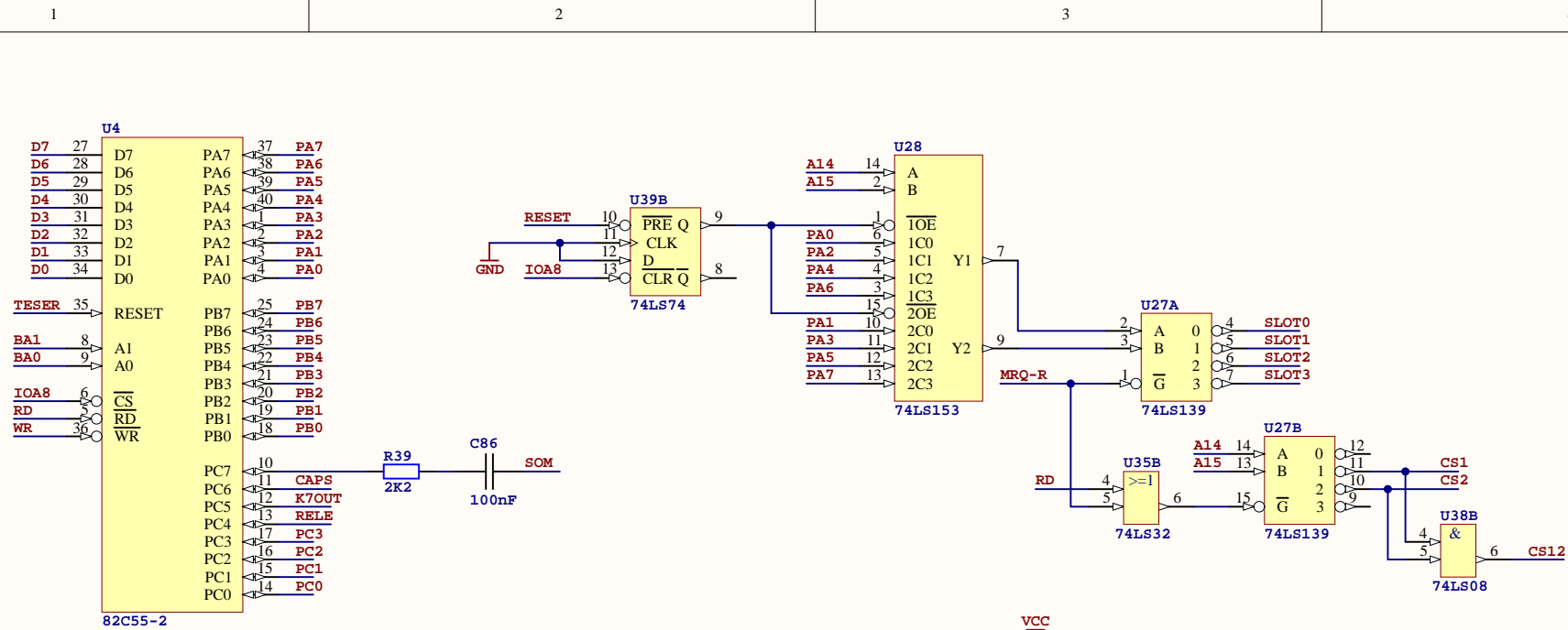
| | | | |
|-------|-----------------------------|---------------------------|---------|
| Title | | | WAIT/M1 |
| Size | Number | Revision | |
| A4 | AC21B24 | | |
| Date: | 5/16/2022 | Sheet of | |
| File: | D:\SSD240\...\WAITM1.SchDoc | Drawn By: ADEMIR CARCHANO | |



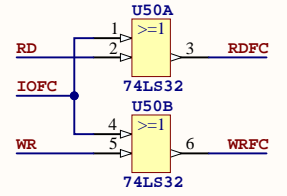
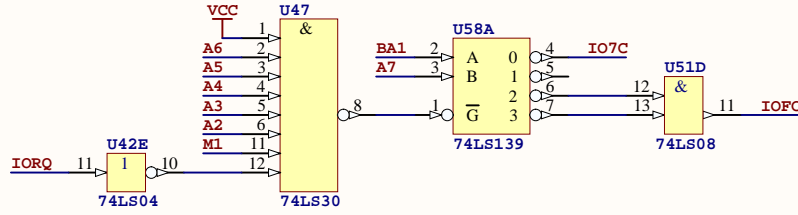
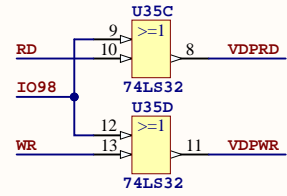
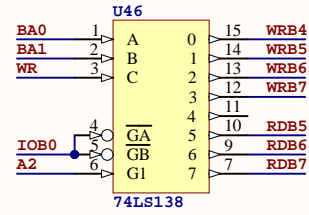
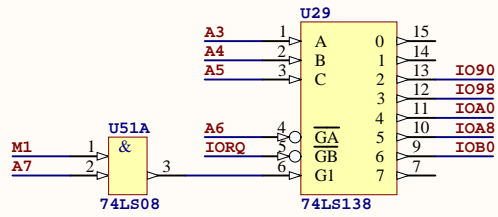
| | | | | | |
|-------|-----------------------------|-----------|--------|-----------------|--|
| Title | | | BUFFER | | |
| Size | Number | AC21B24 | | Revision | |
| A4 | | | | | |
| Date: | 5/16/2022 | Sheet of | | | |
| File: | D:\SSD240\...\BUFFER.SchDoc | Drawn By: | | ADEMIR CARCHANO | |



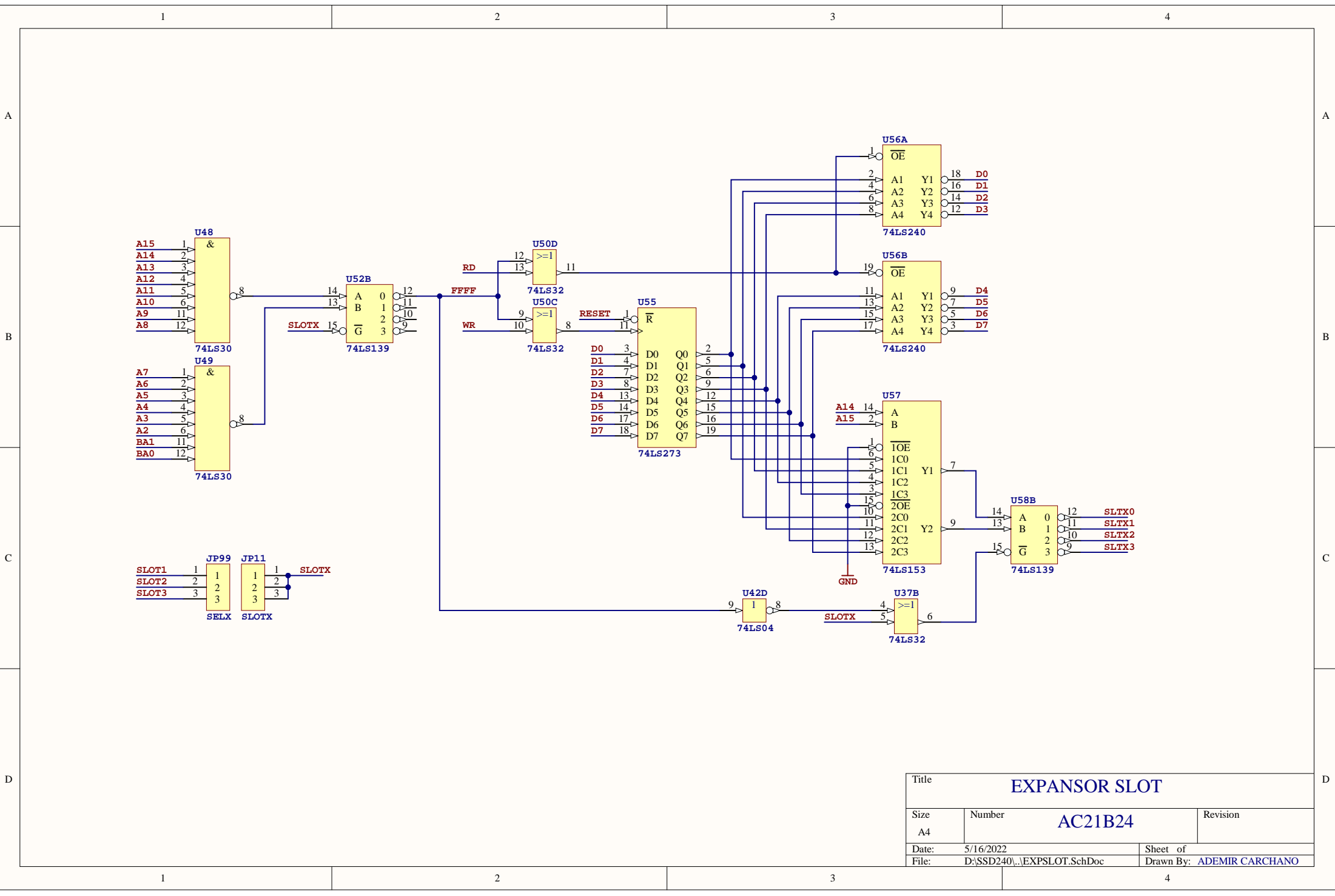
| | | | | | |
|-------|----------------------------|-----------|-------|-----------------|--|
| Title | | | EPROM | | |
| Size | Number | Revision | | | |
| A4 | AC21B24 | | | | |
| Date: | 5/16/2022 | Sheet of | | | |
| File: | D:\SSD240\...\EPROM.SchDoc | Drawn By: | | ADEMIR CARCHANO | |



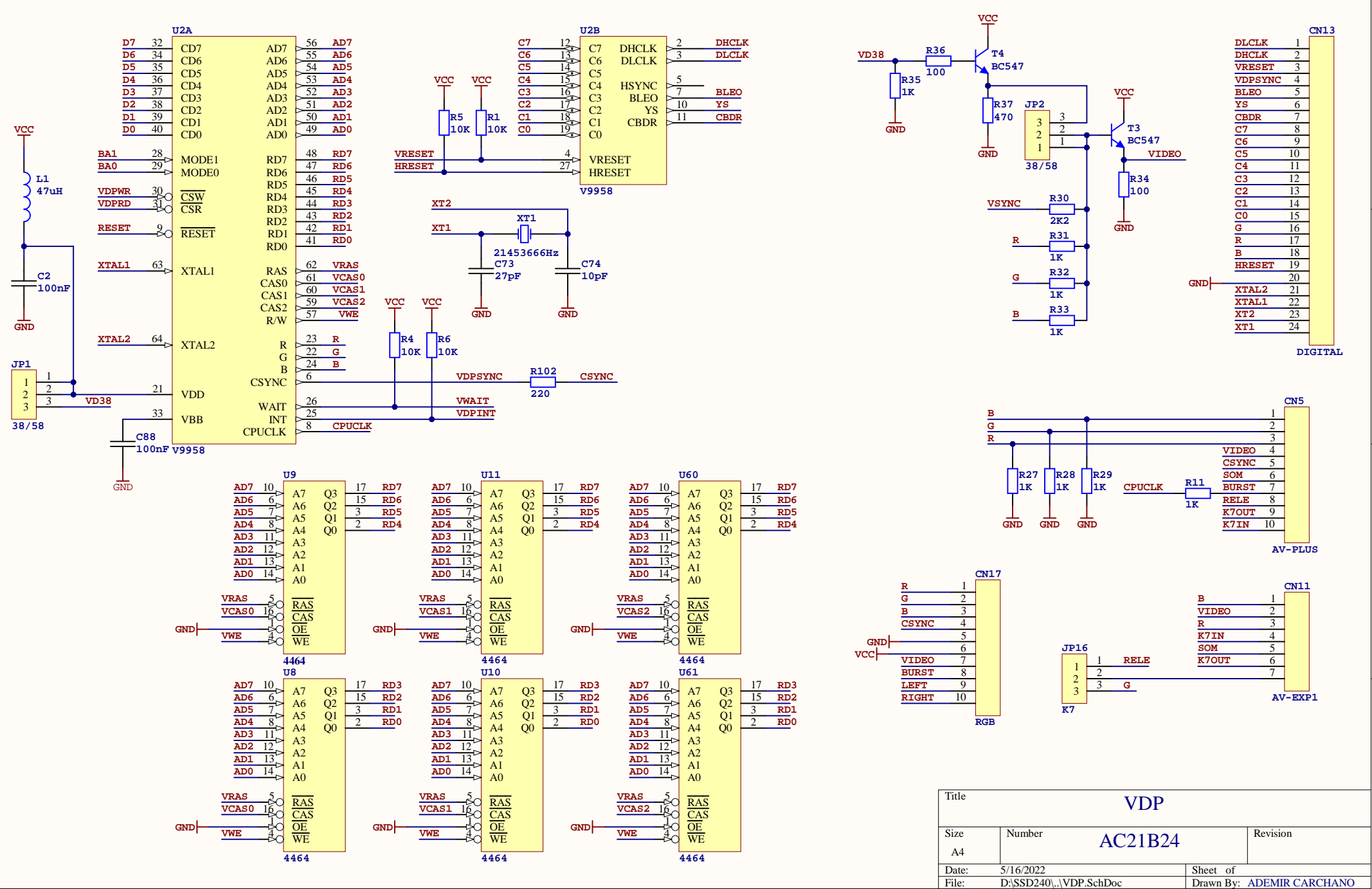
| | | | | | |
|-------|--------------------------|---------|---------------------------|----------|--|
| Title | | | PPI | | |
| Size | Number | AC21B24 | | Revision | |
| A4 | | | | | |
| Date: | 5/16/2022 | | Sheet of | | |
| File: | D:\SSD240\...\PPI.SchDoc | | Drawn By: ADEMIR CARCHANO | | |



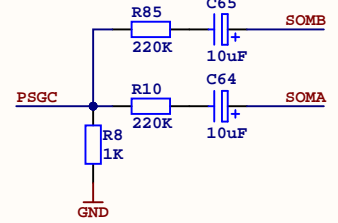
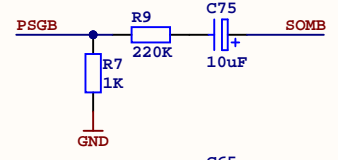
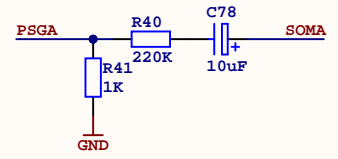
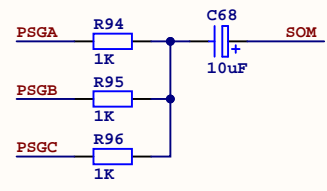
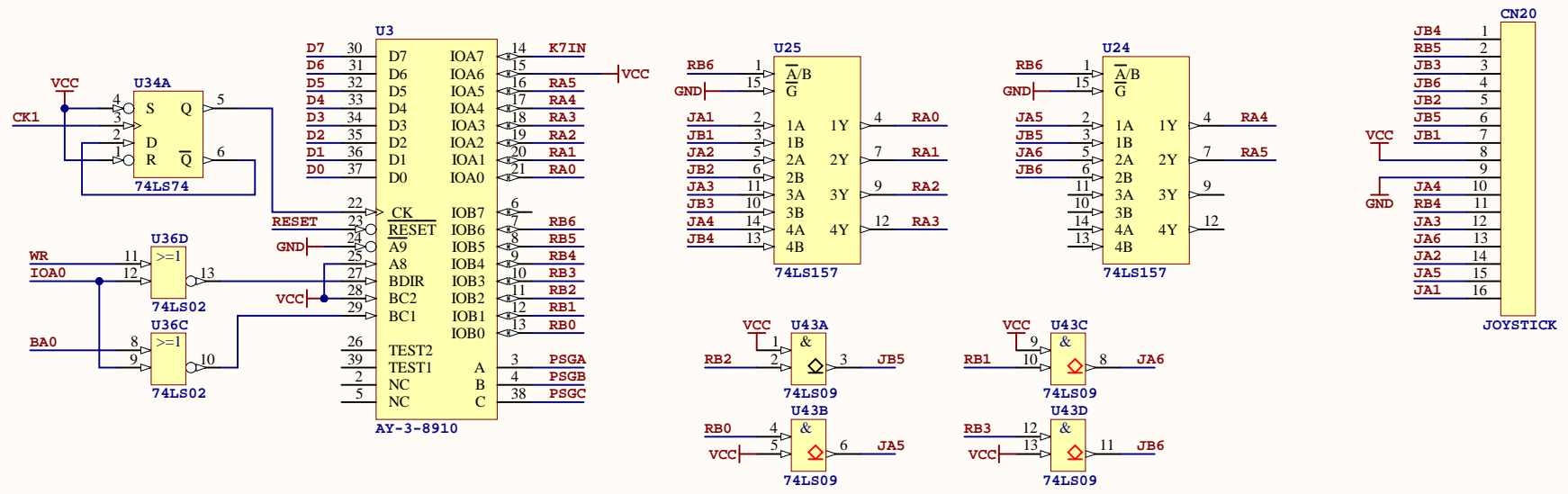
| | | | | | |
|-------|----------------------------|----------------|-----------------------|-----------------|--|
| Title | | | SELEÇÃO DE I/O | | |
| Size | Number | AC21B24 | | Revision | |
| Date: | 5/16/2022 | Sheet of | | | |
| File: | D:\SSD240\...\IOSEL.SchDoc | Drawn By: | | ADEMIR CARCHANO | |



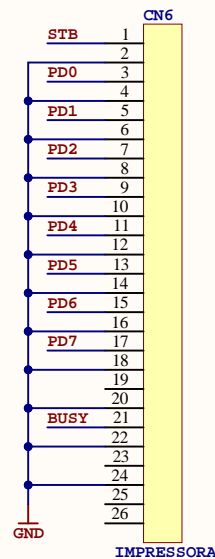
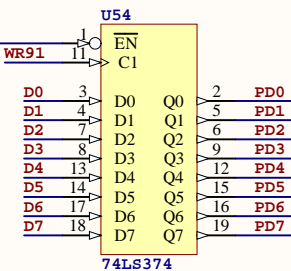
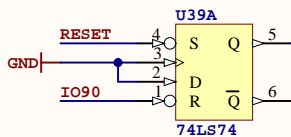
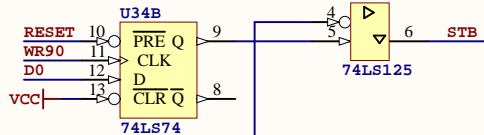
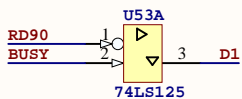
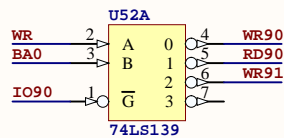
| | | | | | |
|-------|------------------------------|---------|---------------------------|----------|--|
| Title | | | EXPANSOR SLOT | | |
| Size | Number | AC21B24 | | Revision | |
| A4 | | | | | |
| Date: | 5/16/2022 | | Sheet of | | |
| File: | D:\SSD240\...\EXPSLOT.SchDoc | | Drawn By: ADEMIR CARCHANO | | |



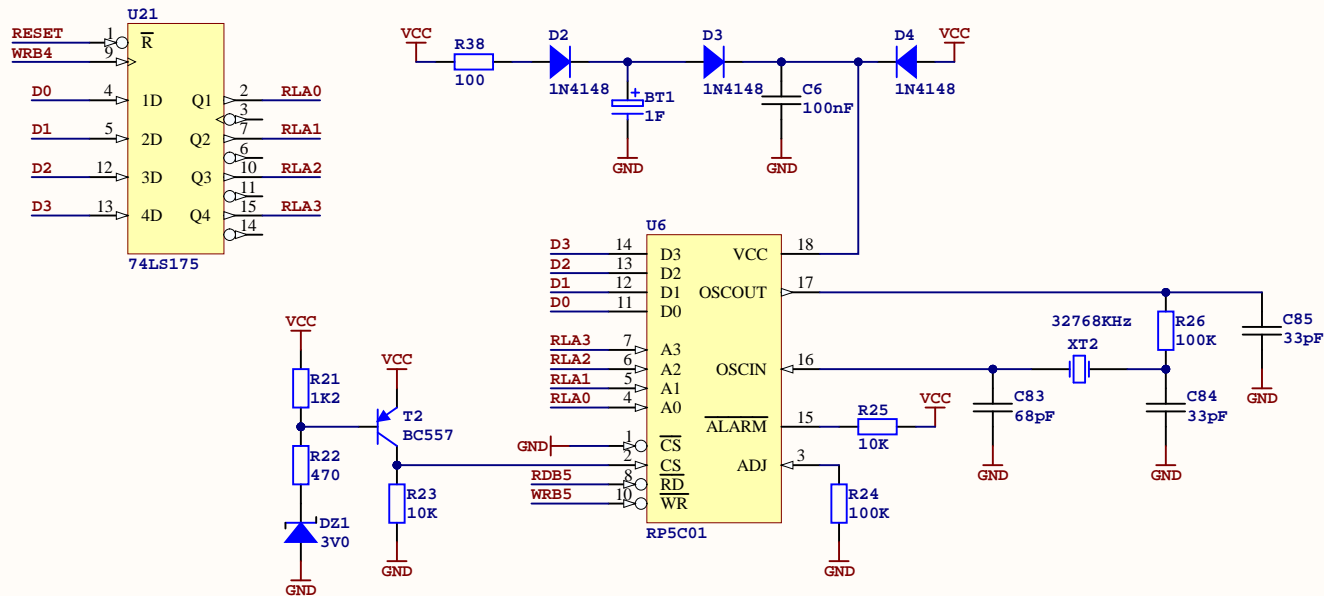
| | | | | | |
|-------|--------------------------|----------------|----------------------------------|----------|--|
| Title | | | VDP | | |
| Size | Number | AC21B24 | | Revision | |
| A4 | | | | | |
| Date: | 5/16/2022 | | Sheet of | | |
| File: | D:\SSD240\...\VDP.SchDoc | | Drawn By: ADEMIR CARCHANO | | |



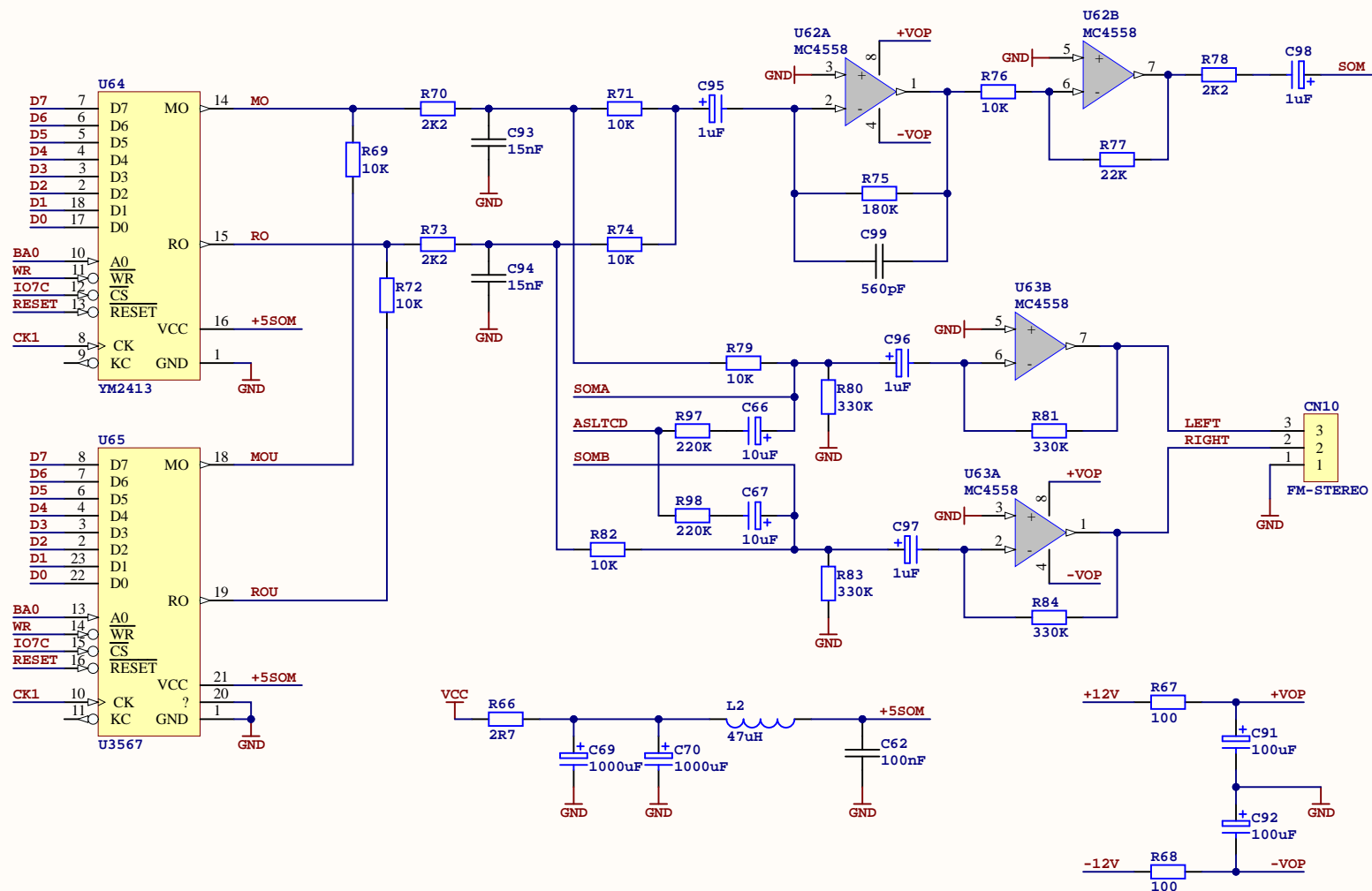
| | | | | | |
|-------|--------------------------|---------|---------------------------|----------|--|
| Title | | | PSG | | |
| Size | Number | AC21B24 | | Revision | |
| A4 | | | | | |
| Date: | 5/16/2022 | | Sheet of | | |
| File: | D:\SSD240\...\PSG.SchDoc | | Drawn By: ADEMIR CARCHANO | | |



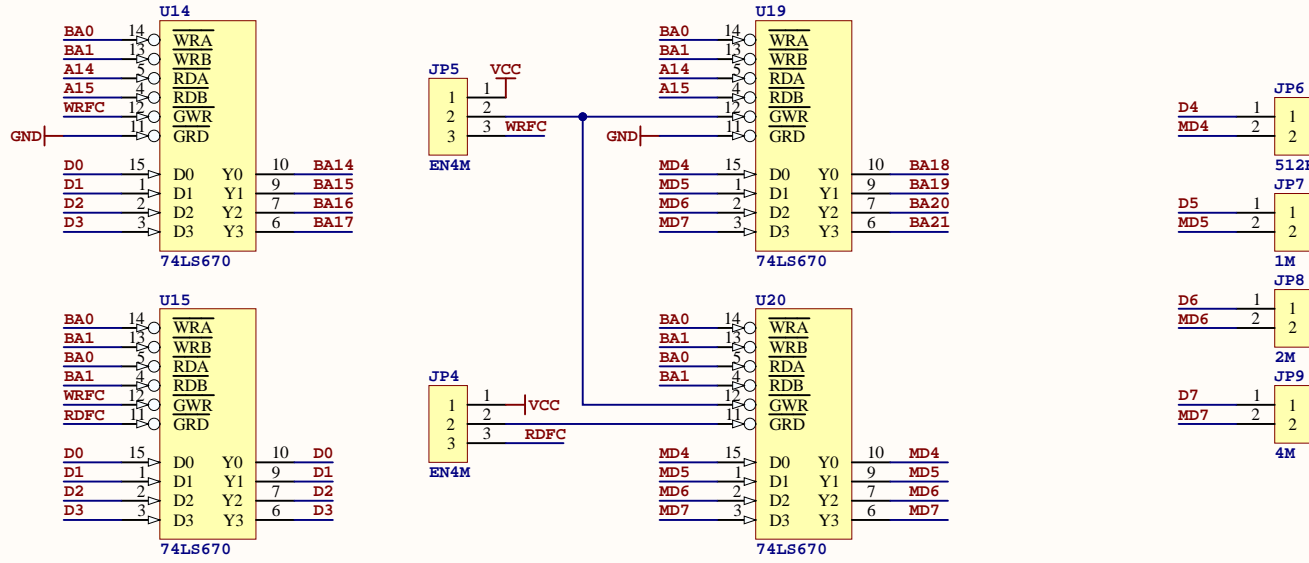
| | | | | | |
|-------|--------------------------|-----------|------------|-----------------|--|
| Title | | | IMPRESSORA | | |
| Size | Number | Revision | | | |
| A4 | AC21B24 | | | | |
| Date: | 5/16/2022 | Sheet of | | | |
| File: | D:\SSD240\...\PRT.SchDoc | Drawn By: | | ADEMIR CARCHANO | |



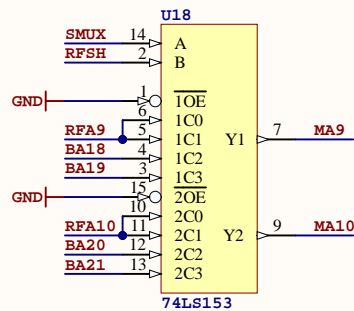
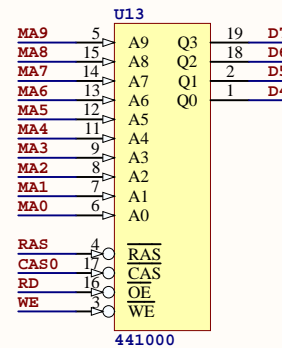
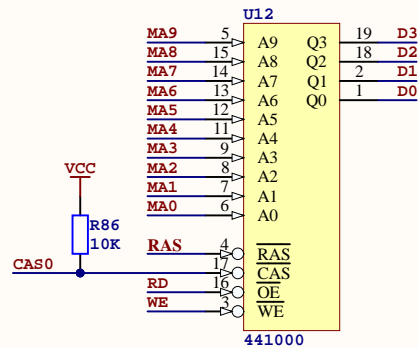
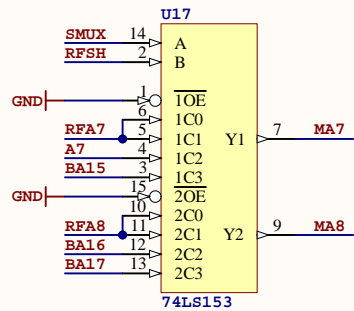
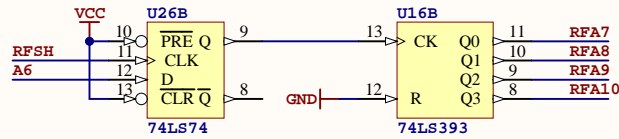
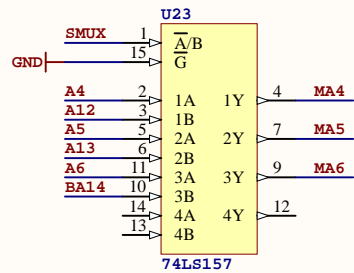
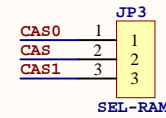
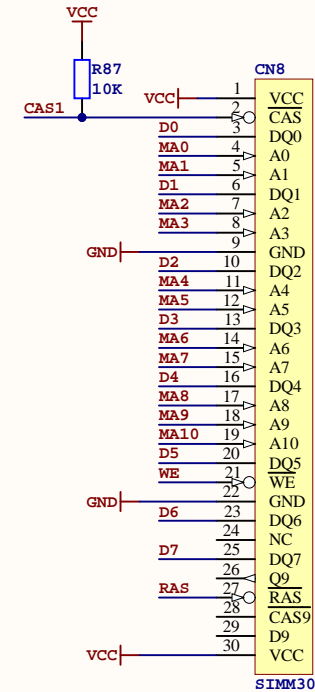
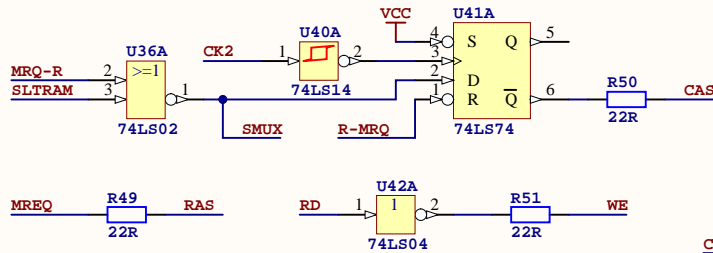
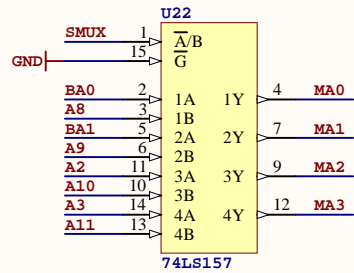
| | | | | | |
|-------|-------------------------|-----------|-----|-----------------|--|
| Title | | | RTC | | |
| Size | Number | Revision | | | |
| A4 | AC21B24 | | | | |
| Date: | 5/16/2022 | Sheet of | | | |
| File: | D:\SSD240\...RTC.SchDoc | Drawn By: | | ADEMIR CARCHANO | |



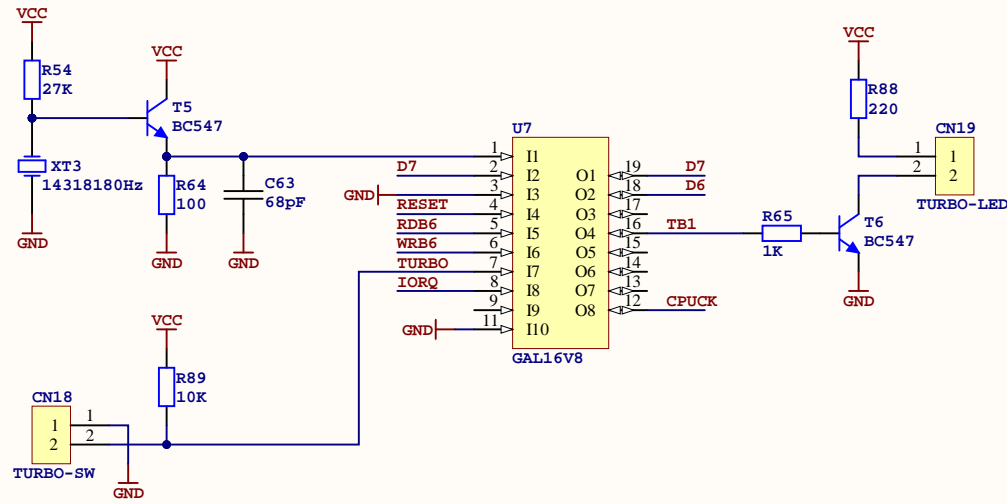
| | | | |
|-------|------------------------|---------------------------|----|
| Title | | | FM |
| Size | Number | AC21B24 | |
| A4 | | Revision | |
| Date: | 5/16/2022 | Sheet of | |
| File: | D:\SSD240\...FM.SchDoc | Drawn By: ADEMIR CARCHANO | |



| | | | | | |
|-------|-----------------------------|-----------|---------------|-----------------|--|
| Title | | | MEMORY MAPPER | | |
| Size | Number | Revision | | | |
| A4 | AC21B24 | | | | |
| Date: | 5/16/2022 | Sheet of | | | |
| File: | D:\SSD240\...\MAPPER.SchDoc | Drawn By: | | ADEMIR CARCHANO | |



| | | | |
|-------|---------------------------|---------------------------|------|
| Title | | | DRAM |
| Size | Number | Revision | |
| A4 | AC21B24 | | |
| Date: | 5/16/2022 | Sheet of | |
| File: | D:\SSD240\...\DRAM.SchDoc | Drawn By: ADEMIR CARCHANO | |



| | | | | | |
|-------|----------------------------|----------------|--------------|-----------------|--|
| Title | | | TURBO | | |
| Size | Number | | | Revision | |
| A4 | | AC21B24 | | | |
| Date: | 5/16/2022 | Sheet of | | | |
| File: | D:\SSD240\...\TURBO.SchDoc | Drawn By: | | ADEMIR CARCHANO | |

A

A

B

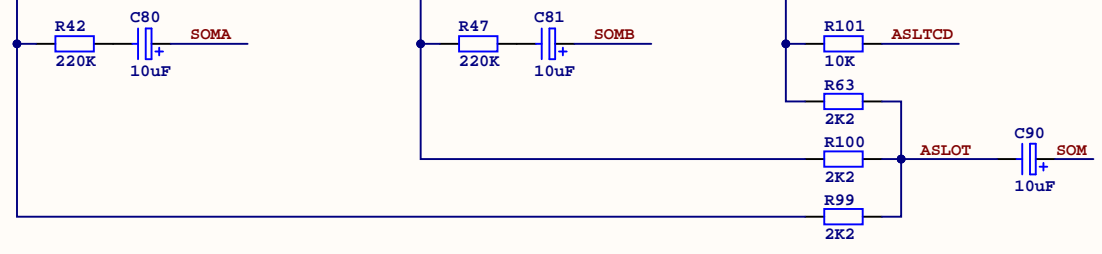
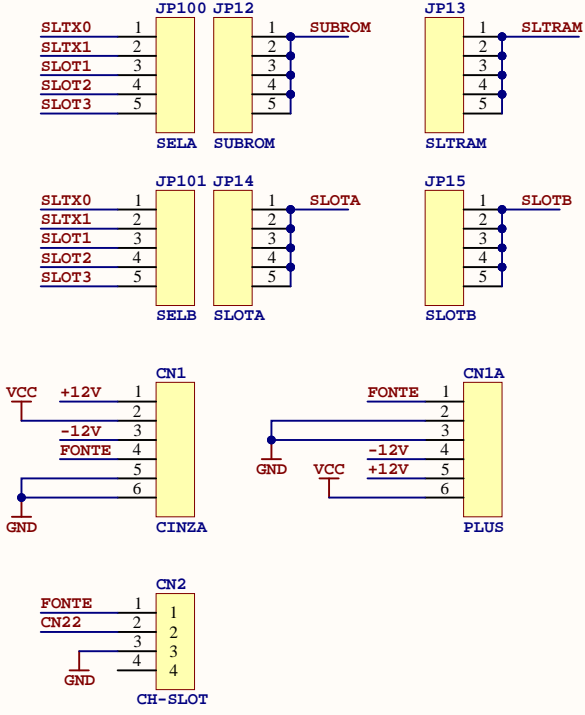
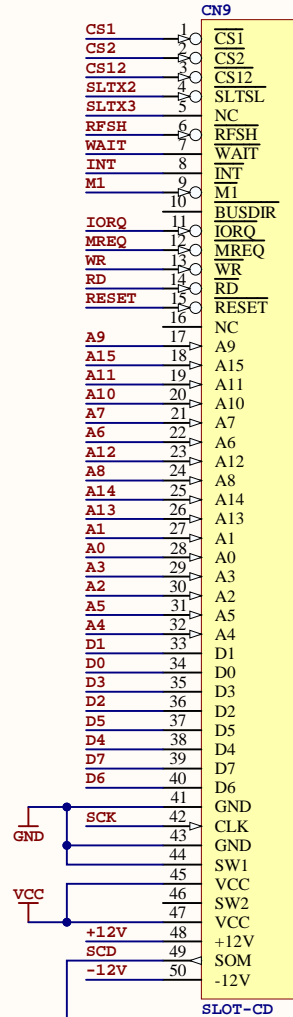
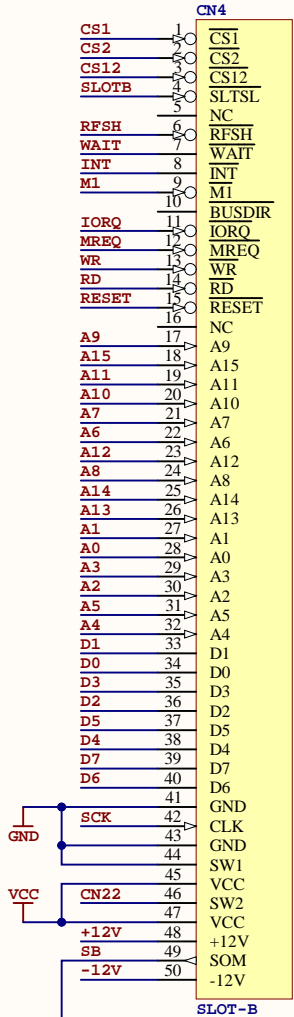
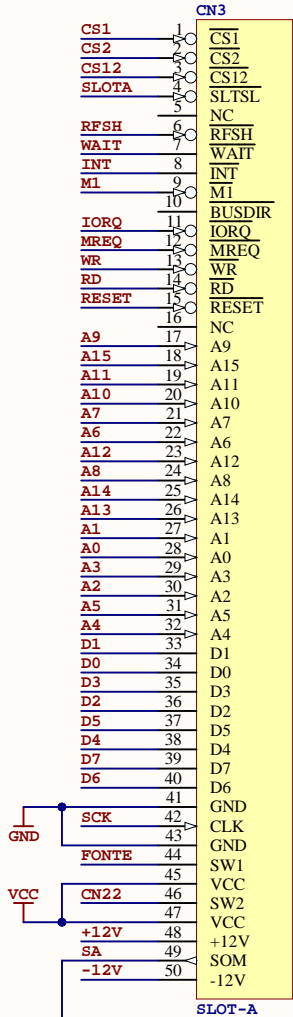
B

C

C

D

D



| | | | | | |
|-------|----------------------------|---------|---------------------------|----------|--|
| Title | | | CONECTORES DE SLOT | | |
| Size | Number | AC21B24 | | Revision | |
| Date: | 5/16/2022 | | Sheet of | | |
| File: | D:\SSD240\...\SLOTS.SchDoc | | Drawn By: ADEMIR CARCHANO | | |

1

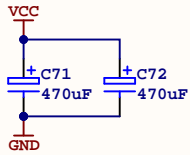
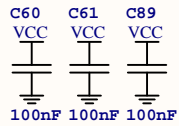
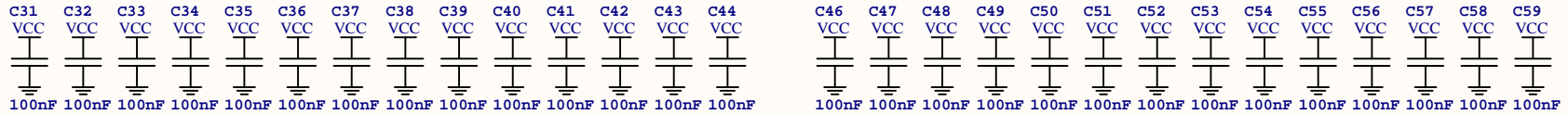
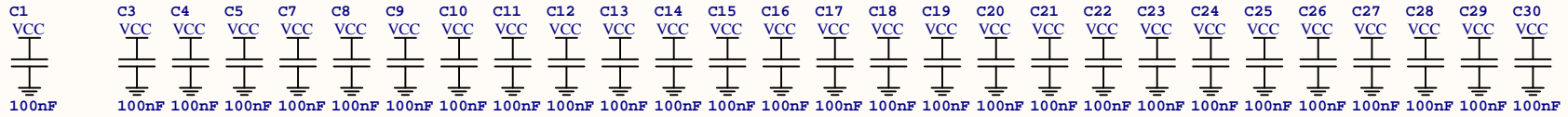
2

3

4

A

A



B

B

C

C

D

D

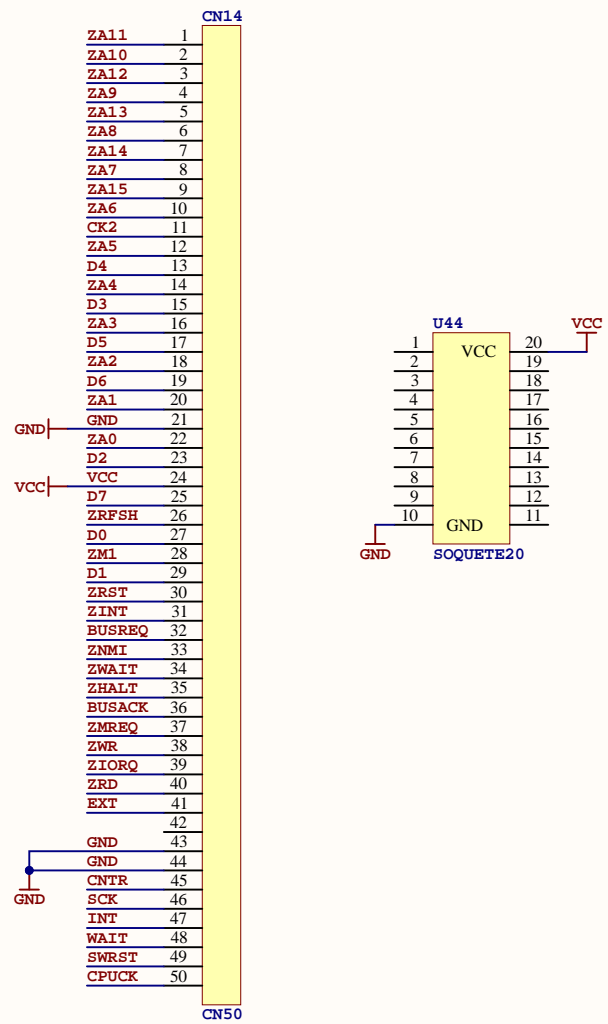
1

2

3

4

| | | | | | |
|-------|---------------------------|-----------|-------------|-----------------|--|
| Title | | | CAPACITORES | | |
| Size | Number | Revision | | | |
| A4 | AC21B24 | | | | |
| Date: | 5/16/2022 | Sheet of | | | |
| File: | D:\SSD240\...\CAPS.SchDoc | Drawn By: | | ADEMIR CARCHANO | |



| | | | | | |
|-------|-----------------------------|-----------|-----------------|--|--|
| Title | | | CPU EXTERNA | | |
| Size | Number | Revision | | | |
| A4 | AC21B24 | | | | |
| Date: | 5/16/2022 | Sheet of | | | |
| File: | D:\SSD240\...\CPUEXT.SchDoc | Drawn By: | ADEMIR CARCHANO | | |